





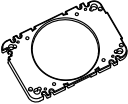

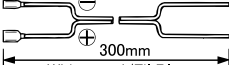
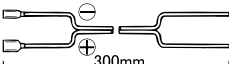
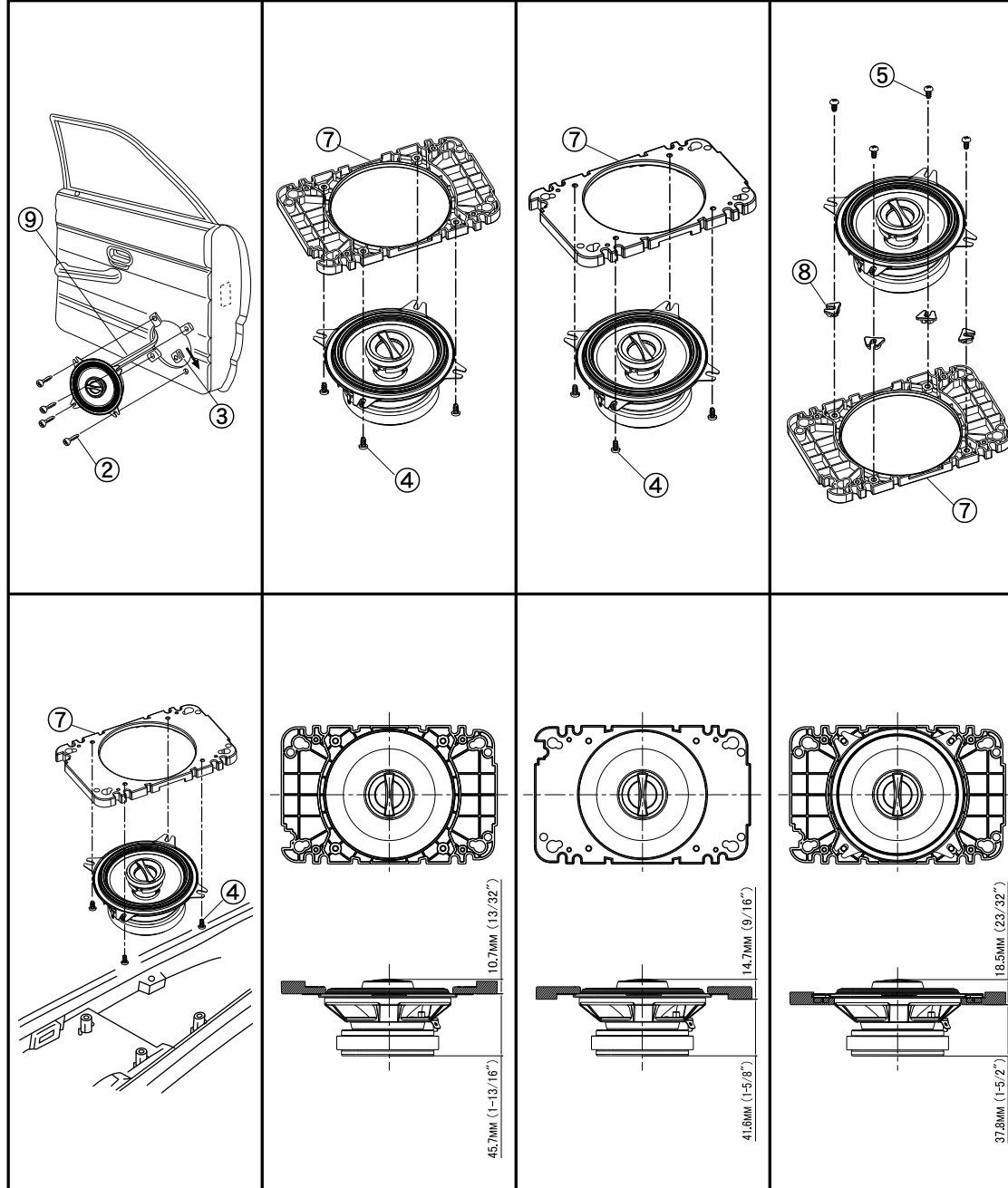


S-S40 Installation Guide

CONTENTS ■ CONTENU

- ①  × 2
- ② $\phi 4 \times 20\text{mm}$  × 8
- ③  × 8
- ④ $\phi 4 \times 6\text{mm}$  × 8
- ⑤ $\phi 4 \times 8\text{mm}$  × 8
- ⑥  × 2
- ⑦  × 2
- ⑧  × 8
- ⑨  × 1
300mm
White cord/Fil Blanc
- ⑩  × 1
300mm
Gray cord/Fil Gris

INSTALLATION ■ INSTALLATION



EXTERNAL DIMENSIONS ■ DIMENSIONS EXTERNES

